

ZLHUV - STANDARD NYLON JACKET HARD POLYMER FIBERS

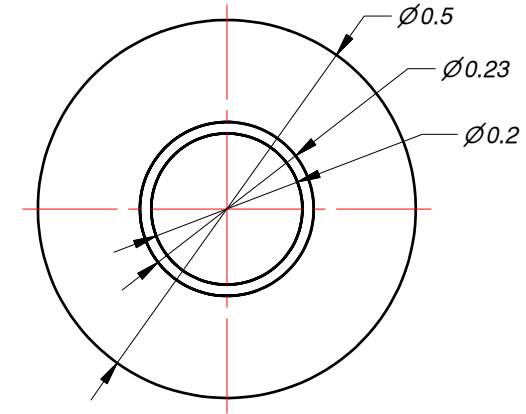
NOTES:

1. HERAEUS SUPRASIL 311 ROAD .
2. EXCELLENT TRANSMISSION IN THE RANGE 300-1100 NM.
3. HIGH POWER LASER TRANSMISSION.
4. STRESS PROOF LOAD 100KPSI.
5. OPERATION TEMPERATURE FROM -40°C TO +100°C

ACTIVE DIAMETER FROM 100 TO 500 [MICRONS]	ACTIVE DIAMETER FROM 500 TO 1000 [MICRONS]	ACTIVE DIAMETER MORE THEN 1000 [MICRONS]
ZLHUV200/230N//500	ZLHUV600/630N//1040	ZLHUV1000/1035N//1400
ZLHUV300/330N//650	ZLHUV800/830N//1240	ZLHUV1000/1070N//1400
ZLHUV400/430N//730		

OTHER FIBER DIMENSION AVAILABLE ON REQUEST.
PLEASE CONTACT US FOR DISCUSSIONS.

VIEW A
FIBER CONSTRUCTION
EXAMPLE: ZLHUV200/230N//500



QUANTITIES IN METERS (ON REQUEST)



FIBER CODE EXPLANATION

ZLHUV 200 / 230 N// 500 - 0.48

PURE FUSED
SILICA CORE
[MICRONS]

HARD POLYMER
COATING [MICRONS]

NYLON JACKET
[MICRONS]

NUMERICAL
APERATURE [NA]

JACKET COLOR

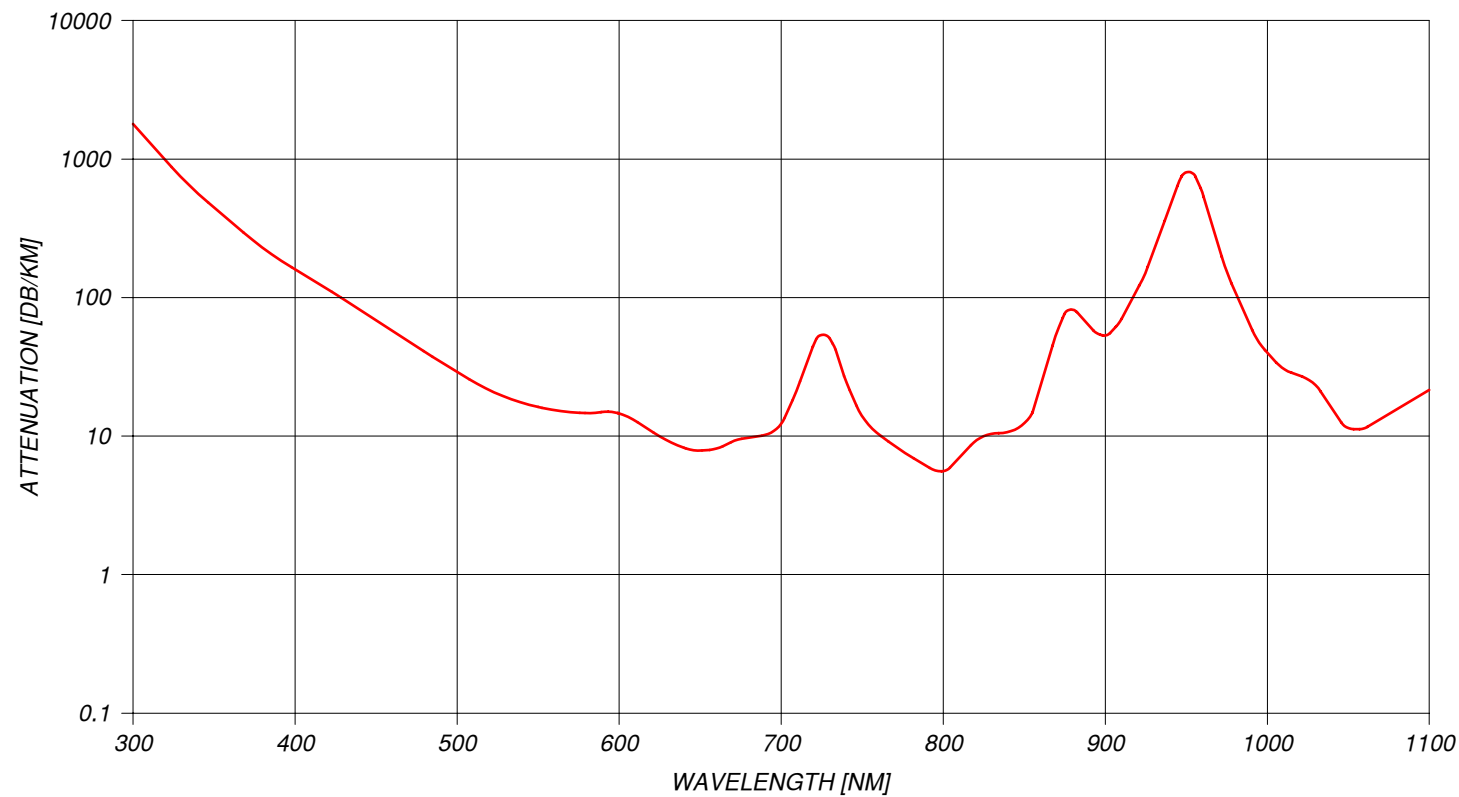
NATURAL
B BLACK

STANDARD, NA=0.37±0.02

0.48 NA=0.48±0.02

OTHER FIBER DIMENSION AVAILABLE ON REQUEST.
PLEASE CONTACT US FOR DISCUSSIONS.

TYPICAL FIBER ATTENUATION



TITLE: **ZLHUV - NYLON JACKET
HARD POLYMER FIBERS**

SIZE: **A3** DRAWING NO.: **ZLHUV-001-00** REV.: **A**

FILE NAME: ZLHUV-NYLON.idw ITEM NO.:

COMPANY: Z-LIGHT, LTD. CODE NO.:

HOME PAGE: HTTP://WWW.Z-LIGHT.LV ORDER NO.:

SCALE: DO NOT SCALE DIMENSIONS ARE IN MM SHEET 1 OF 1