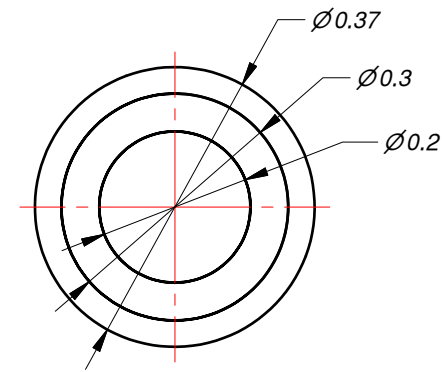


ZLPUV - STANDARD NYLON JACKET SILICON FIBERS

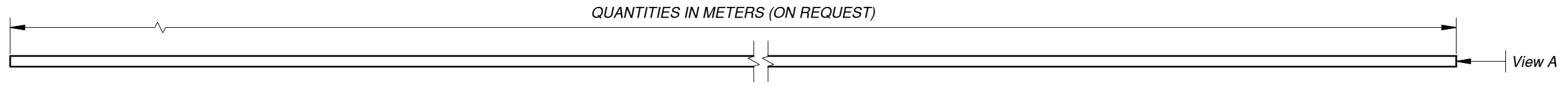
ACTIVE DIAMETER FROM 100 TO 500 [MICRONS]	ACTIVE DIAMETER FROM 500 TO 1000 [MICRONS]	ACTIVE DIAMETER MORE THEN 1000 [MICRONS]
ZLPUV200/300N//370	ZLPUV600/700N//800	ZLPUV1000/1100N//1200
ZLPUV300/400N//500	ZLPUV600/700N//920	ZLPUV1500/1650N//1800
ZLPUV400/500N//600	ZLPUV800/900N//1000	ZLPUV2000/2150N//2300
ZLPUV400/530N//680		
ZLPUV440/540N//680		
ZLPUV500/600N//700		

- NOTES:
1. HERAEUS SUPRASIL 311 ROAD .
 2. EXCELLENT TRANSMISSION IN THE RANGE 250-1100 NM.
 3. HIGH POWER LASER TRANSMISSION.
 4. STRESS PROOF LOAD 100KPSI.
 5. OPERATION TEMPERATURE FROM -40°C TO +100°C

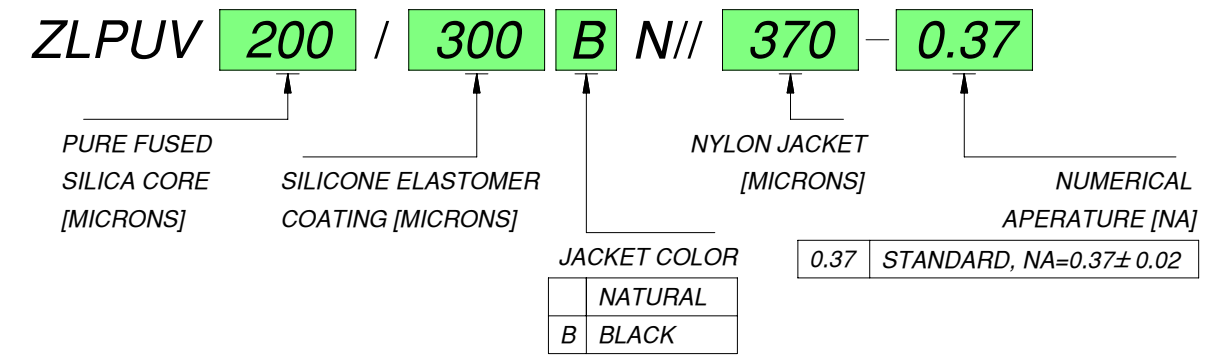
VIEW A
FIBER CONSTRUCTION
EXAMPLE: ZLPUV200/300N//370



OTHER FIBER DIMENSION AVAILABLE ON REQUEST.
PLEASE CONTACT US FOR DISCUSSIONS.

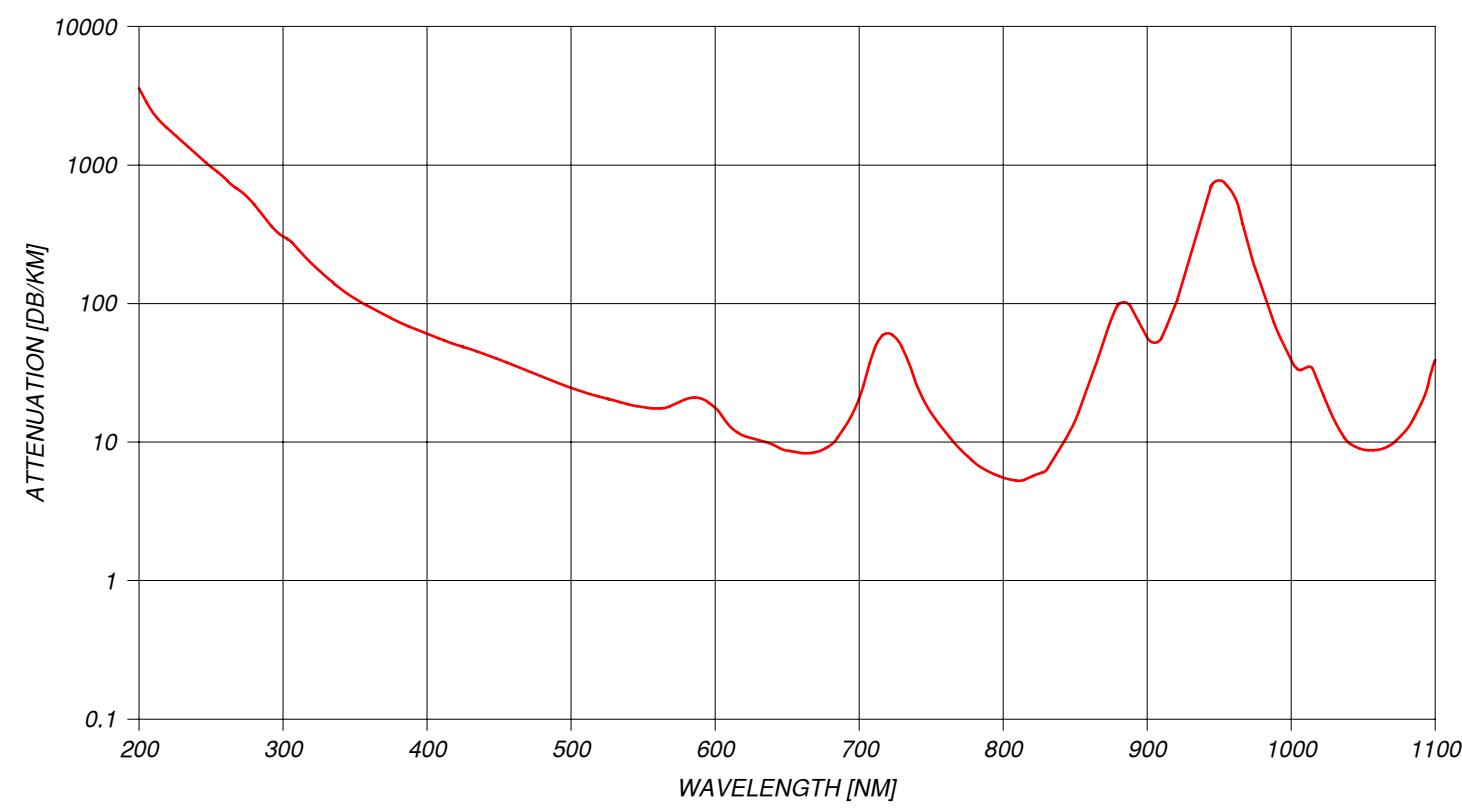


FIBER CODE EXPLANATION



OTHER FIBER DIMENSION AVAILABLE ON REQUEST.
PLEASE CONTACT US FOR DISCUSSIONS.

TYPICAL FIBER ATTENUATION



TITLE: ZLPUV - NYLON JACKET SILICONE ELASTOMER FIBERS		
SIZE: A3	DRAWING NO.: ZLPUV-001-00	REV.: A
FILE NAME: ZLPUV-NYLON.idw	ITEM NO.:	
COMPANY: Z-LIGHT, LTD.	CODE NO.:	
HOME PAGE: HTTP://WWW.Z-LIGHT.LV	ORDER NO.:	
SCALE: DO NOT SCALE	DIMENSIONS ARE IN MM	SHEET 1 OF 1